



# GALAXY<sup>®</sup>

## Outdoor Satellite Router SCADA & M2M



The GBB Outdoor Router module is ideal for use in large outdoor networks such as SCADA, M2M and other telemetry monitoring and remote management systems. Compact and designed for outdoor use the GBB Outdoor Router utilizes the Hughes HN advanced modulation and coding performance enhancing features to deliver bandwidth both reliably and affordably.

Compliant with IPoS/DVB-S2 including Adaptive Coding and Modulation (ACM), the world's leading industry standard, the HN platform also supports the legacy DVB-S standard.

When running in the DVB-S2 mode, the HN9260 supports forward channel data rates up to 121 Mbps. The inbound or return channel is configurable up to 3.2 Mbps, and features adaptive MF/TDMA coding which results in superior return channel efficiency

### Features

- Forward Channel DVB-S2 with Adaptive Coding and Modulation (ACM)
- Return Channel with Adaptive Coding and Frequency Hopping
- Secure Network Transmission with bi-directional IPSEC and AES-256 encryption
- NAT/PAT Routing
- LAN 10/100 Ethernet
- AC or DC Power Supplies
- IP67 Enclosure for Extreme Environments
- Integrated local Web Interface for Management and Diagnostics
- Cellular Redundancy Option

Power Requirements	
<b>Total Approx. Wattage Load</b>	<b>72 W</b>
<b>Assumed VDC Supplied</b>	<b>24 VDC</b>
<b>Approx. Amperage Draw</b>	<b>3.0 A</b>





Figure 1-2, Outdoor Router Module (left), Outdoor Power Module (right)



Figure 1-3, Router Module Connections

Figure 1-4, Power Module Connections

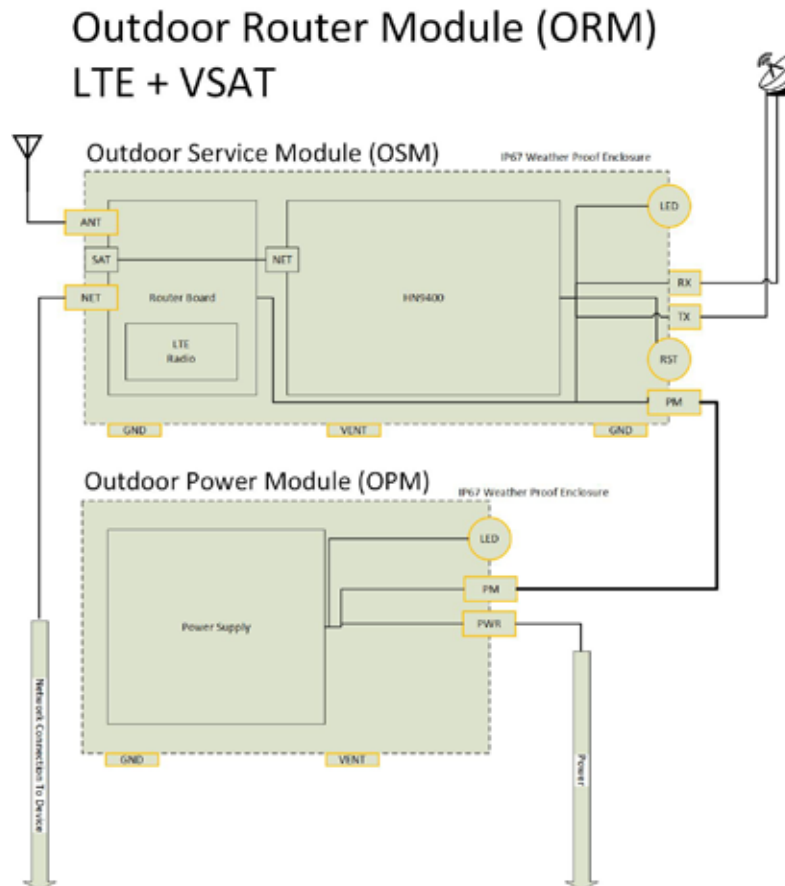


Figure 1-5, System Block Diagram

Galaxy Broadband  
 1.877.463.9728  
 galaxybroadband.ca  
 sales@galaxybroadband.ca

- Galaxy Broadband
- galaxybroadband
- @galaxybroadband